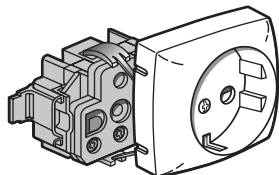
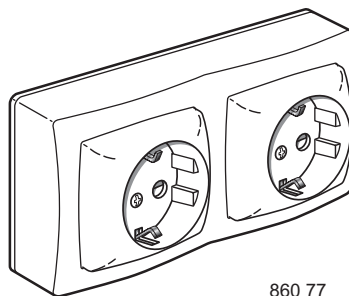


Surface-mounted power socket Schuko standard

Cat. No(s): 860 29/31/56/67/77 - 861 29/56



861 29



860 77

1. USE

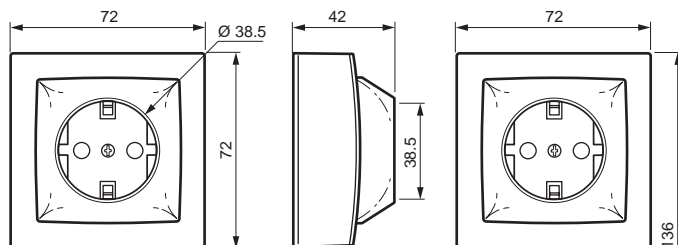
Power sockets 16 A - 250 V~ conforming to Schuko standard.

2. RANGE

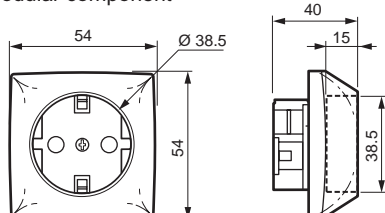
Description	Complete unit		Modular component	
	Cat. No.	Weight	Cat. No.	Weight
2 P+E	860 29	70 g	861 29	52.2 g
2 P+E with safety shutters	860 31	70 g		
2 P+E tamperproof	860 56	73 g	861 56	57.3 g
2-gang - 2 x 2 P+E with safety shutters	860 77	120 g		
2-gang - 2 x 2 P+E two-way switch with safety shutters	860 67	120 g		

3. DIMENSIONS

Complete unit



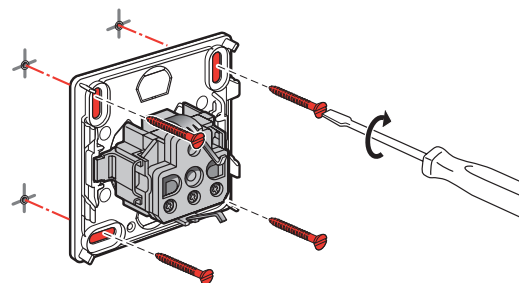
Modular component



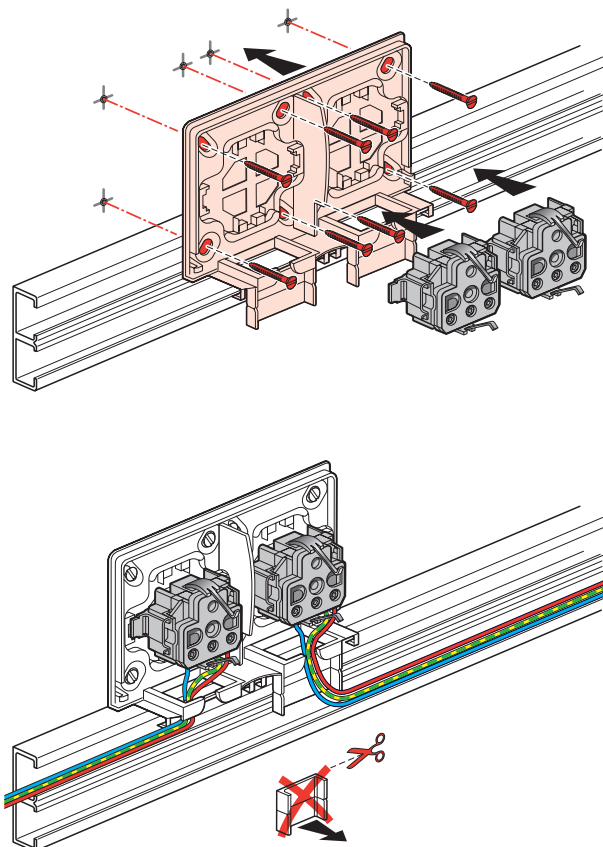
860 67/77
2-gang: can be
mounted vertically
or horizontally

4. INSTALLATION

4.1 Mounting with plate: 860 29/31/56/67/77



4.2 Mounting on DLP: 861 29/56



Surface-mounted power socket Schuko standard

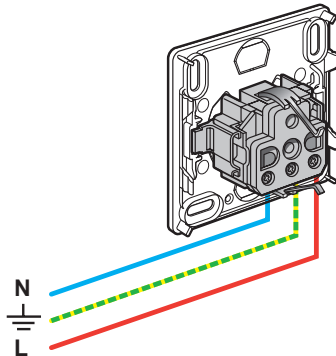
Cat. No(s).: 860 29/31/56/67/77 - 861 29/56

5. CONNECTION

5.1 Terminals

Connection by screw terminals.
Terminal capacity: 2 x 2.5 mm²

5.2 Wiring diagrams



L - N connection right or left according to country

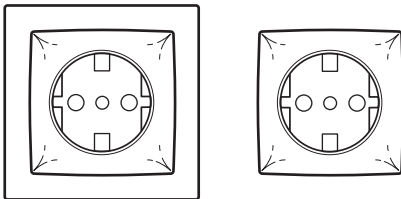
6. GENERAL CHARACTERISTICS

6.1 Mechanical characteristics

Class of protection: IK04
Class of protection: IP (complete mechanism) 31D

6.2 Material characteristics

- Materials and colours
Plate, frame in acrylonitrile-butadiene-styrene (ABS), cover plate in polycarbonate (PC)
Colour: white RAL 9010
Good UV resistance



- Resistance to chemical agents	ABS	PC
Acetone	+	-
Acetic acid 10 %	+(10%)	+
Hydrochloric acid *	-(10%)	-
Citric acid *	+	+
Hydrofluoric acid *	+	-
Nitric acid 30 %	+	-
Nitric acid 50 %	+	-
Phosphoric acid *	+	-
Sulphuric acid	+	-
Tannic acid *		-
Ethyl alcohol	+	+
Methyl alcohol (methanol)	+	+
Ammonia	+	-
Barium chloride *	+	+
Benzene		-
Chlorinated lime *		+
Seawater	+	+
Low-gravity petrol	(+)	-
Mineral spirit	(+)	-
Turpentine	(+)	+
Essential oils	+	+
Linseed oil	+	+
Lubricating oil	+	+
Machine oil	+	+
Mineral oil	+	+
Paraffin oil	+	+

6. GENERAL CHARACTERISTICS (suite)

- Resistance to chemical agents	ABS	PC
Fish oil	+	+
Castor oil	+	+
Silicon oil	+	+
Milk	+	+
Fuel-oil		+
Petroleum oil, petroleum ether	(+)	-
Silicate (potassium, sodium)		+
Caustic soda = 40 %		+
Monomer styrenes		-
Sugar		+
Trichloroethylene	-	-
Toluene	-	
Urine		+
Wine	+	
Aniline	-	
Javel water	+	

* all concentrations in aqueous solution
+ : resistant, - : unstable, (+) : limited resistance

6.3 Environmental conditions

Storage and operating temperature : - 5°C to + 40°C

6.4 Electrical characteristics

Self-extinguishing conforming to NFC 20-455 CEI 695.2.1
Plate, cover plate: 650° C / 30 s.
Mechanisms in contact with live parts : 850° C / 30 s.
Current rating : 16 A max. in alternating current.
Voltage: 230 V.
Frequency: 50 Hz.

7. MAINTENANCE

Clean surface with a damp cloth
Do not use: trichloroethylene

Caution: Carry out a preliminary test before using specific maintenance products

8. ACCESSORIES



502 99:
Tamperproof cover for sockets 860 56 / 861 56

9. CONFORMITY AND APPROVALS

Cat. No.	860 29	860 31	860 67	860 77	861 29
OC	•	•	•	•	•
AENOR	•		•	•	•
VDE	•	•		•	•
GOST	•				•