

# Capri ADE 1F2 - for Non Armoured Cable

## Technical Specification



### Suitable for the following cable types

- Non-armoured cable
- Marine shipboard cable / P Type cable

### Certifications and Compliances

Zones 1 and 2 Groups IIA, IIB and IIC

Zones 21 and 22 Groups IIIA, IIIB and IIIC

ATEX Certificate No: INERIS12ATEX0032X

Ex db IIC, Ex db I, Ex eb I, Ex eb IIC, Ex nRc IIC, Ex tb IIIC

IECEX Certificate No: IECEX INE 12.0025X

Class I, Zone 2, AEx e II, Ex e II

cULus Listed: E310130

Marine cULus Listed: E314047

DTS-01:91 Deluge certification

### Product Specification

#### Material:

Nickel-plated brass for superior corrosion resistance.  
316 Stainless steel, bronze and aluminium options available.  
It is recommended that a suitable lubricant is used on all threads of stainless steel and aluminium versions.

#### Operating Temperature:

Neoprene seal: -30°C to +80°C

Silicone seal: -60°C to +140°C

#### Ingress Protection (IP):

##### Metric Threads:

Fitted on equipment with a flat surface, on threaded hole, or on blank hole ("d" use excluded) fixed by a qualified locknut with all threads engaged:

- IP64 and IP66 without Sealing Washer and surface finish of Ra 0.4µm or on threaded hole and surface finish of Ra 1.6µm max.
- IP64 and IP66 with all Sealing Washers (Red Fibre, Green Fibre, Neoprene, Nylon or PTFE) on surface Ra 6.3µm max.
- IP68 tested 30m/7days with Red Fibre or Green Fibre Sealing Washers on surface Ra 6.3µm max.

##### NPT Threads:

- IP64, 66 and IP68 tested 30m/7days, always fitted on equipment with threaded hole; HTL lubricant may be needed.

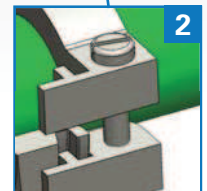
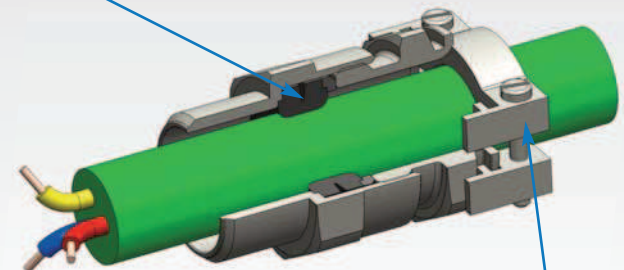
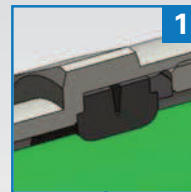
#### Clamping Technology:

Elastomeric seal on cable outer-sheath

External cable clamping module optional



## Features & Benefits

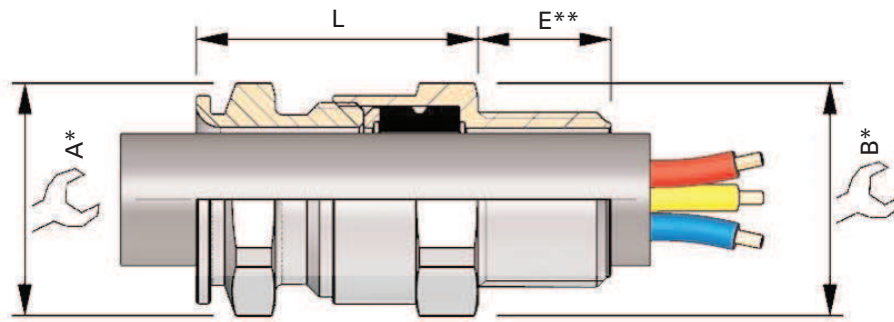


1: Specifically formulated elastomer for IP sealing on outer sheath of cable.

2: Additional external cable clamping for strain relief (optional).

# Capri ADE 1F2 - Order Codes & Dimensions

## Dimensions



\* For 'across corners' dimensions, multiply 'across flats' dimensions by 1.1

\*\* For 'E' see Thread Dimension page 0.

SERIES	THREAD SIZE	CABLE SEALING RANGE	MATERIAL	SEALING TYPE	OPTION
ADE1	M25	3	NP	N	

0 = XS
1 = S
2 = M
3 = L

VARIANT CODES	
K1	Accessories Kit 1
K2	Accessories Kit 2
K3	Accessories Kit 3
BLANK	No Option
N	Neoprene
S	Silicone
NP	Nickel Plated Brass
SS	Stainless Steel
BZ	Bronze
AL	Aluminium

KIT OPTIONS	
K1	Kit 1 Contents: ● Locknut ● Green Fibre Washer
K2	Kit 2 Contents: ● Locknut ● Green Fibre Washer ● Earth Tag ● Shroud
K3	Kit 3 Contents: ● Locknut ● Green Fibre Washer ● Earth Tag ● Serrated Washer

SELECTION TABLE						DIMENSIONS				CAP GLAND SIZE	CAP NUMBER ISO	CAP NUMBER NPT	
SERIES	THREAD SIZE	THREAD SIZE CODE	THREAD SIZE	THREAD SIZE CODE	CABLE SEALING RANGE	CABLE SEALING RANGE ISO/(NPT)		A	B				L (LENGTH)
	ISO	NPT	OUTER SHEATH MIN - MAX										
ADE1	12*	M12	1/4"	N025	3	4.5 - 8.0		17	17	25.0	4	CAP806404V1	CAP808404V1
ADE1	16*	M16	3/8"	N038	2	4.5 - 8.5		17	19	25.0	4	CAP806594V1	CAP808594V1
ADE1	16*	M16	3/8"	N038	3	7.0 - 12.0		19	19	27.5	5	CAP806504V1	CAP808504V1
ADE1	20	M20	1/2"	N050	0	2.8 - 5.5		15	24	24.0	3	CAP806664V1	CAP808664V1
ADE1	20	M20	1/2"	N050	1	4.5 - 8.5		17	24	25.0	4	CAP806674V1	CAP808674V1
ADE1	20	M20	1/2"	N050	2	7.0 - 12.0		19	24	27.5	5	CAP806694V1	CAP808694V1
ADE1	20	M20	1/2"	N050	3	10.0 - 16.0 (15.5)		24	24	32.0	6	CAP806604V1	CAP808604V1
ADE1	25	M25	3/4"	N075	1	7.0 - 12.0		19	30	27.5	5	CAP806774V1	CAP808774V1
ADE1	25	M25	3/4"	N075	2	10.0 - 16.0		24	30	32.0	6	CAP806794V1	CAP808794V1
ADE1	25	M25	3/4"	N075	3	13.5 - 20.5		30	30	36.5	7	CAP806704V1	CAP808704V1
ADE1	32	M32	1"	N100	3	18.0 - 27.5 (26.0)		41	41	46.0	8	CAP806804V1	CAP808804V1
ADE1	40	M40	1 1/4"	N125	3	23.0 - 34.0		48	48	50.0	9	CAP806904V1	CAP808904V1
ADE1	50	M50	1 1/2"	N150	1	29.0 - 41.0		55	55	52.0	10	CAP807004V1	CAP809004V1
ADE1	50	M50	2"	N200	2	35.0 - 45.0 (48.0)		64	64	56.5	11	CAP807084V1	CAP809294V1
ADE1	63	M63	2"	N200	3	42.0 - 56.0 (53.0)		72	72	60.0	12	CAP807204V1	CAP809204V1
ADE1	75	M75	2 1/2"	N250	3	50.0 - 65.0 (62.5)		85	85	67.5	13	CAP807304V1	CAP809404V1
ADE1	90	M90	3"	N300	2	58.0 - 74.0		95	95	69.0	14	CAP807594V1	CAP809594V1
ADE1	90	M90	3"	N300	3	66.0 - 83.0 (78.0)		110	110	80.0	15	CAP807504V1	CAP809504V1
ADE1	110	M110	3 1/2"	N350	2	75.0 - 93.0 (92.0)		120	120	80.0	16	CAP807604V1	CAP809604V1
ADE1	110	M110	4"	N400	3	85.0 - 104.0		135	135	90.0	17	CAP807704V1	CAP809704V1

\* Not UL certified All dimensions in mm

Above CAP product codes for nickel-plated brass model with neoprene seal, refer to page 0 for other options