

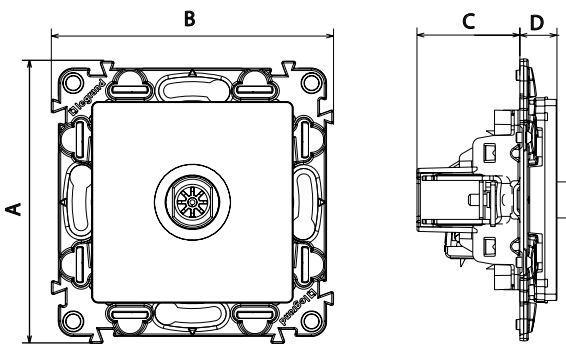
1. USE

Star TV connectors
 Recommended cables 17.19 VATC
 TNT & HD compatible
 Shielded star
 0-2400 MHz

2. RANGE

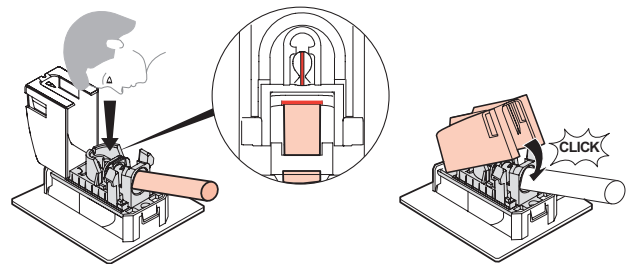
Description	Mechanism + cover plate			Mechanism only	Cover plate only		
	White	Ivory	Aluminium		White	Ivory	Aluminium
Star TV socket	7 531 51	7 532 51	7 533 51	7 530 51	7 547 60	7 547 61	7 547 62

3. DIMENSIONS (mm)

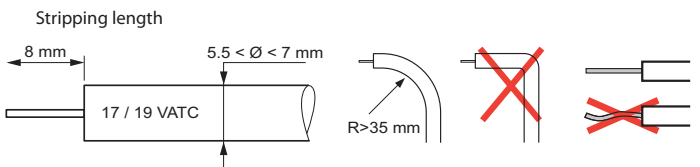


Cat. Nos.	A	B	C	D
7 531 51 - 7 532 51 - 7 533 51	74.6	74.6	27.2	9.8

4. CONNECTION



5. WIRING PRECAUTIONS



To prevent loss of impedance and a subsequent deterioration in performance caused by deformation of the coaxial cable, use the largest possible bending radius.

6. TECHNICAL CHARACTERISTICS

■ **6.1 Mechanical characteristics**

Protection against solid bodies and liquids: IP 21
 Protection against impacts: IK 04

■ **6.2 Material characteristics**

Casing: Poly gloss appearance

Colour: - White RAL 903
 - Ivory RAL 113
 - Aluminium

Material: - Plate: ABS/PC
 - Cover plate: ABS
 - Zero halogen
 - UV resistant

Motor: Zamac support/Zamac steel socket/steel plugs

■ **6.3 Electrical characteristics**

- Characteristic impedance: 75 ohms
- Male TV connector Ø 9.52 mm conforming to IEC 61169-2
- Frequency bands: TV/SAT: 0 - 2400 MHz
- Max. Ø of incoming cable at entry: 7 mm
- The socket must provide galvanic isolation on the core line of the coaxial cable between the network access point and each of the user access points, in accordance with EN 50083-1.
- Contact resistance: 10 mΩ maximum
- Insulation resistance: in accordance with UTE C 90-125
- Harmonics and intermodulation products: during injection of a signal (maximum level 122 dBμV) in the return channel of one of the two user access points, the level of harmonics and intermodulation products delivered to the other access point must be 2.4 dBμV or less.

■ **6.4 Climate characteristics**

Storage and operating temperature: -5°C to +35°C

7. PERFORMANCE

Coax Z 75 Ω			Return channel	VHF1	R	VHF3	UHF	SAT IF
	500 - mA DC	22 kHz 0.6 V	4 - 30 MHz	47 - 68 MHz	87.5 - 108 MHz	120 - 470 MHz	470 - 862 MHz	950 - 2400 MHz
	1.5 dB max							

8. CARE

Clean the surface with a cloth.

Do not use acetone, tar-removing cleaning agents or trichloroethylene.

Resistant to the following products: Hexane (EN 60669-1), methylated spirit, soapy water, diluted ammonia, bleach diluted to 10%, window-cleaning products, pre-impregnated wipes.

Caution: Always test before using special cleaning products.

9. STANDARDS AND APPROVALS

- EN 50083-2
- EN 50083-4