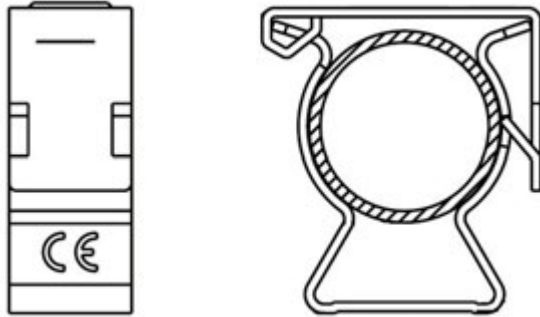


CLIKO metal clamps

Stainless steel

Item codes : from 387090 to 387095



SUMMARY

PAGES

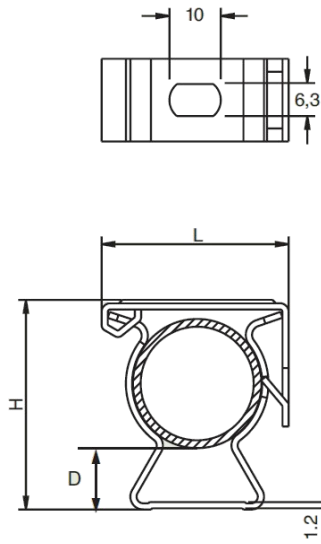
1. Description and applications	1
2. Dimensions and compatibility	1
3. Technical features	1
4. Environmental profile	1
5. Conformity and approvals	1

1. DESCRIPTION AND APPLICATIONS

Patented quick stainless steel clamp for a fast and safe fixing of TAIX rigid conduits; with a hinged snapping cover it is suitable for most applications and it ensures the fixing of pipes on most surfaces. It ensures high mechanical and thermal performances and a good resistance to vibration. Used together with TAIX conduits it guarantees a good tightening and a easy use thanks to the slot on the bottom to allows a correct alignment.

2. DIMENSIONS AND COMPATIBILITY

Dimensions and packaging:



Item	Conduit diameter [mm]*	Dimensions [mm]			Pack [pcs]
		L	H	D	
387090	16	27,0	30,0	10,0	50
387091	20	31,0	34,0	10,0	50
387092	25	37,0	40,0	10,0	40
387093	32	42,0	45,0	10,0	30
387094	40	50,0	60,0	10,0	20
387095	50	62,0	67,0	10,0	20

* External diameter of the pipe

Compatibility:

Conduits TAZ and TAIX series.



3. TECHNICAL FEATURES

Raw material:

Stainless steel AISI304 in according to UNI EN 10088.

Resistance test:

> 450 N for 48 hours in hanging load test.

Electric properties:

Electric continuity guaranteed.

4. ENVIRONMENTAL PROFILE

All the items identified in this technical sheet respect in terms of concentration of substances and raw materials the European legislations about dangerous and forbidden substances and chemical preparations.

5. CONFORMITY AND APPROVALS



All the items identified in this technical sheet are compliant to all the requirements and the regulations currently in force in the European Union about safety, health and environmental issues.

For technical documentation, test reports, commercial information or any other needs please refer to the local LEGRAND office.