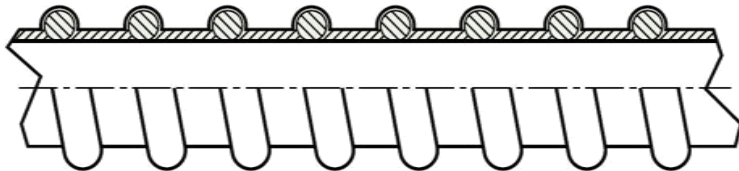


FX flexible conduits

Item codes : from 385150 to 385166, from 382150 to 382166 and from 384150 to 384166



SUMMARY

PAGES

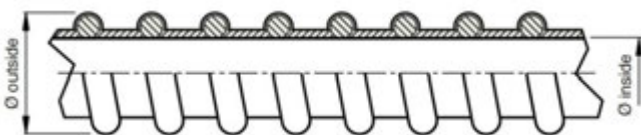
1. Description and applications 1
2. Dimensions and compatibility 1
3. Technical features 2
4. Environmental profile 3
5. Conformity and approvals 3

1. DESCRIPTION AND APPLICATIONS

Spiral PVC flexible conduit suitable for generic applications and standard environments. It's ideal for residential, commercial or industrial building, it can be also used for dynamic applications. It ensures the protection of cable and guarantees a very high flexibility and good mechanical performances. It's a good solution for standard protection needs.

2. DIMENSIONS AND COMPATIBILITY

Dimensions and packaging:



Item GREY 7035	Nominal diameter	Internal diameter [mm]	External diameter [mm]	Curvature radius* [mm]	Pack [m]
385150	10	10,0	14,5	60	50
385151	12	12,0	16,5	75	50
385152	13	13,0	17,5	80	50
385154	15	15,0	19,5	90	50
385155	16	16,0	20,5	160	50
385156	17	17,0	21,5	105	50
385157	20	20,0	24,5	120	50
385158	21	21,0	26,0	130	50
385159	25	25,0	30,5	150	50
385160	28	28,0	33,0	170	25
385161	32	32,0	38,0	195	25
385162	38	37,5	43,5	225	25
385163	40	40,0	46,5	240	25
385164	45	45,0	51,0	270	25
385165	50	50,0	57,0	300	25
385166	52	52,0	59,0	315	25

* Approximate value: for more information contact Legrand technical offices

Item GREY 7001	Nominal diameter	Internal diameter [mm]	External diameter [mm]	Curvature radius* [mm]	Pack [m]
382150	10	10,0	14,5	60	50
382151	12	12,0	16,5	75	50
382152	13	13,0	17,5	80	50
382154	15	15,0	19,5	90	50
382155	16	16,0	20,5	160	50
382156	17	17,0	21,5	105	50
382157	20	20,0	24,5	120	50
382158	21	21,0	26,0	130	50
382159	25	25,0	30,5	150	50
382160	28	28,0	33,0	170	25
382161	32	32,0	38,0	195	25
382162	38	37,5	43,5	225	25
382163	40	40,0	46,5	240	25
382164	45	45,0	51,0	270	25
382165	50	50,0	57,0	300	25
382166	52	52,0	59,0	315	25

* Approximate value: for more information contact Legrand technical offices

Item BLACK	Nominal diameter	Internal diameter [mm]	External diameter [mm]	Curvature radius* [mm]	Pack [m]
384150	10	10,0	14,5	60	50
384151	12	12,0	16,5	75	50
384152	13	13,0	17,5	80	50
384154	15	15,0	19,5	90	50
384155	16	16,0	20,5	160	50
384156	17	17,0	21,5	105	50
384157	20	20,0	24,5	120	50
384158	21	21,0	26,0	130	50
384159	25	25,0	30,5	150	50
384160	28	28,0	33,0	170	25
384161	32	32,0	38,0	195	25
384162	38	37,5	43,5	225	25
384163	40	40,0	46,5	240	25
384164	45	45,0	51,0	270	25
384165	50	50,0	57,0	300	25
384166	52	52,0	59,0	315	25

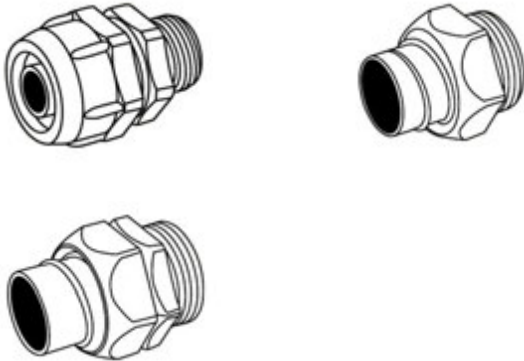
* Approximate value: for more information contact Legrand technical offices

FX flexible conduits

Item codes : from 385150 to 385166, from 382150 to 382166 and from 384150 to 384166

Compatibility:

Connectors UNIVERSALE series, connectors MF Nylon series and connectors MG Nylon series.



3. TECHNICAL FEATURES

Raw material:

Plasticized spiral PVC (PVC-P).

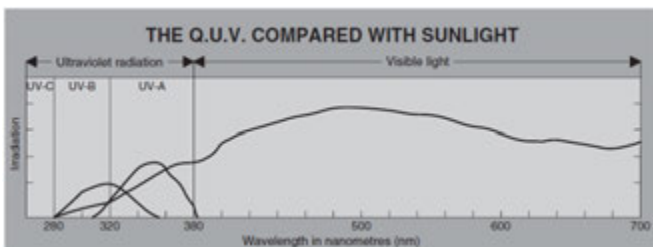
IEC 61386 classification:



1 st figure	2 nd figure	3 rd figure	4 th figure
Resistance to compression	Resistance to shock	Maximum installation and normal use temperature	Minimum transport, installation and normal use temperature
1 = very slight 2 = slight 3 = medium 4 = strong 5 = very strong	125 N 320 N 750 N 1250 N 4000 N	1 = very slight 0.5 J 2 = slight 1 J 3 = medium 2 J 4 = strong 6 J 5 = very strong 20 J	1 = +60 °C 2 = +90 °C 3 = +105 °C 4 = +120 °C 5 = +150 °C 6 = +250 °C 7 = +400 °C
		1 = +5 °C 2 = -5 °C 3 = -15 °C 4 = -25 °C 5 = -45 °C	

Resistance to UV rays:

Represents the resistance to the degradation of mechanical performance caused by exposure to UV radiation contained in sunlight. All RTA conduit systems have been subjected to the Q.U.V. test which, with exposure cycles of 4+4 hours, simulates the continued alternation of light and condensation. The conduits of LGP series are not recommended for long exposition to UV radiation even if they have a good resistance to UV rays: all FX conduits are indicated for internal uses or covered uses.



Resistance to chemical agents:

Represents the resistance to chemicals or external agents. The used test method consist of: immersion of the items under test in the chemical substance for 24 hours; once they were dried and conditioned at a constant temperature for other 24 hours, they were checked with the following examinations:

- Visual inspection to check the integrity
- Mechanical bending test
- Mechanical compression test
- IP protection test

Industrial chemical agents	Resistance*
Unleaded petrol	Yellow
Industrial detergent	Green
Diesel fuel	Red
Lubricant oil	Yellow
Emulsifier solution	Green
Washing solvent	Red

* resistances to chemicals are indicative. For any specific application or environment please contact Legrand technical offices

- Good resistance
- Medium resistance
- No resistance

Operating temperature:

Minimum: +5° C / +41° F

Maximum: +60° C / +140° F

Self-extinguishing:

Does not propagate flames in according to IEC 61386.

IP protection index:

IP44 with UNIVERSALE series connectors.

IP55 with MF Nylon series connectors.

IP42 with MG Nylon series connectors.

1 st digit IP		2 nd digit IP	
Protection against the ingress of solid bodies		Protection against the ingress of liquids	
0	No protection	2	Protection against drops of water falling at up to 15° from the vertical
1	Protection against solid bodies larger than 50 mm (e.g.: accidental contact)	3	Protection against drops of rain water at up to 60° from the vertical
2	Protection against solid bodies larger than 12 mm (e.g.: finger)	4	Protection against sprays of water from all directions
3	Protection against solid bodies larger than 2.5 mm	5	Protection against jets of water from all directions
4	Protection against solid bodies larger than 1 mm	6	Protection against jets of water of similar force to heavy seas
5	Protection against dust	7	Protection against the effects of immersion
6	Complete protection against dust	8	Protection against prolonged effects of immersion under pressure

4. ENVIRONMENTAL PROFILE

All the items identified in this technical sheet respect in terms of concentration of substances and raw materials the European legislations about dangerous and forbidden substances and chemical preparations.

5. CONFORMITY AND APPROVALS



All the items identified in this technical sheet are compliant to all the requirements and the regulations currently in force in the European Union about safety, health and environmental issues.

For technical documentation, test reports, commercial information or any other needs please refer to the local LEGRAND office.