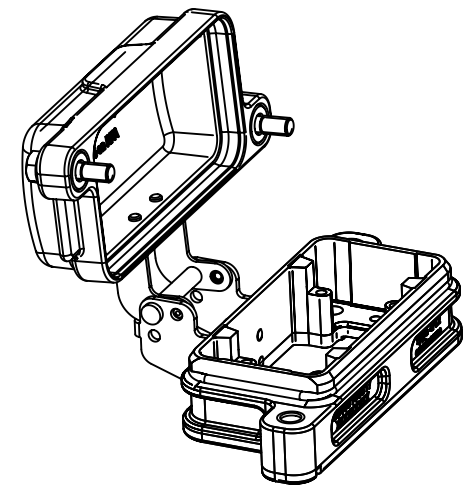
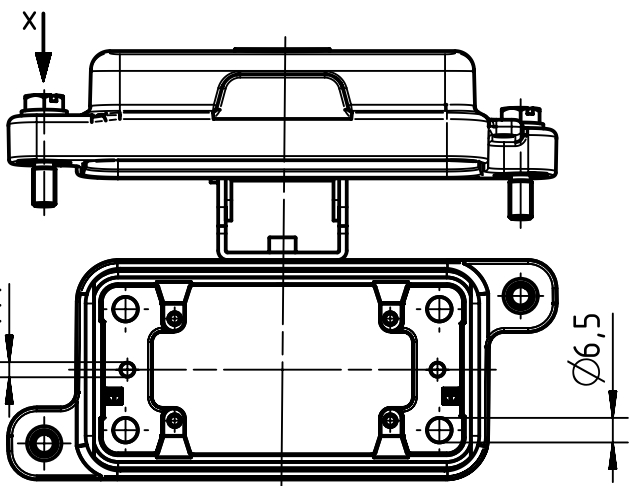
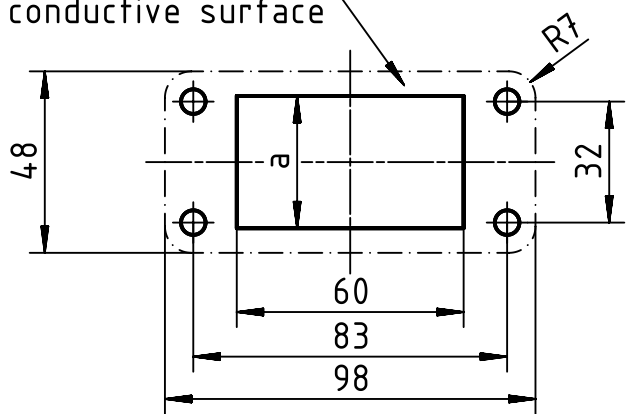


for EMC features,
conductive surface

panel cut out



application	a
standard insert	35
HC-Modular 650	44,5

	All rights reserved Department EL PD - DE	All Dimensions in mm Original Size DIN A4		Scale 1:2	Free size tol.	Ref. Sub.
		Created by RULLKOETTER	Inspected by GERB	Standardisation TIEMANNA	Date 2015-09-02	State Final Release
Title Han 10HPR-HBM-Screw locking-Cover						Doc-Key / ECM-Nr. 100209591/UGD/004/C 500000093924
HARTING Electric GmbH & Co. KG D-32339 Espelkamp		Type TB	Number 09 40 010 0317			Rev. C Page 1/1