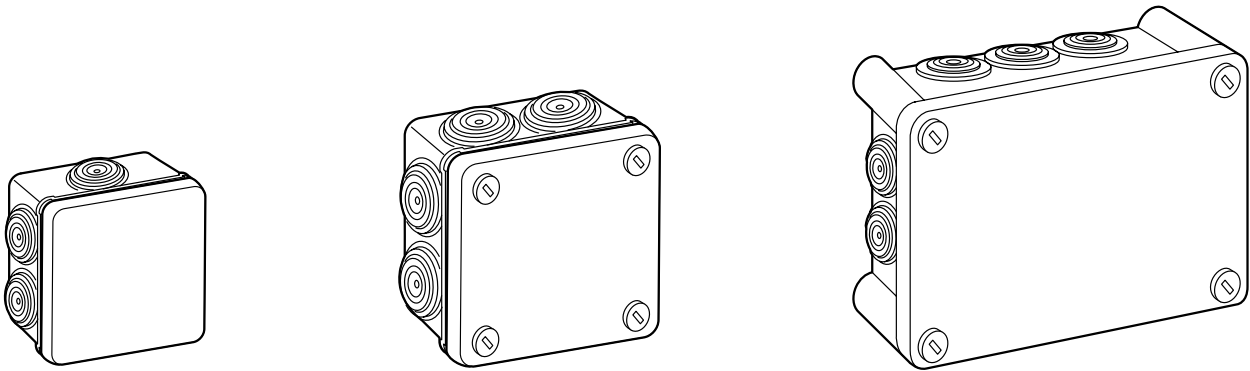


**Plexo
Junction boxes**

Cat. No(s): 920 15/25/45



1. GENERAL CHARACTERISTICS

Special weatherproof boxes for safety circuits in public buildings and work premises.

In accordance with regulations governing public buildings under Article EL 16 §1.

Cover colour grey RAL 7037.

Box colour red RAL 3000.

Can be fitted with IP2x terminal strips for the 155 x 110 box.

Cat. No.	Inside dimensions	Nbr. of caps	Cover type
920 15	80 x 80 x 45	7	clippable
920 25	105 x 105 x 55	7	1/4 turn screw closing
920 45	155 x 110 x 45	10	1/4 turn screw closing

2. MATERIAL CHARACTERISTICS

Box: A.B.S.

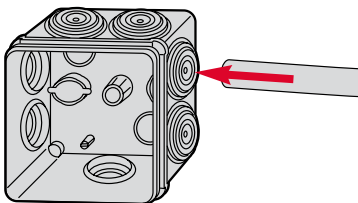
Cover: - polypropylene for boxes 902 15/25

- polycarbonate for box 920 45

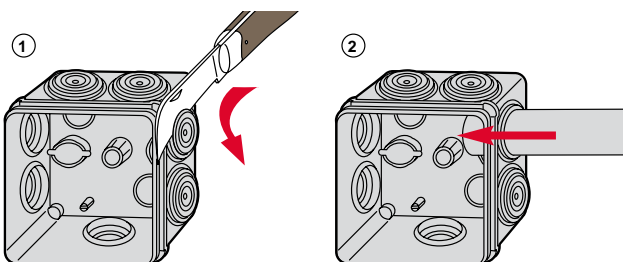
Cover fixing screw (for box 920 25/45): polyamide

3. TECHNICAL DATA

- Operating temperature: - 25°C to + 40°C
- Protection rating: IP 55 - IK 07
- Glow wire resistance: 960°C as per NF EN 60695-2-1
- Good resistance to UV, salt spray, oils and greases
- Class 2 guaranteed by protective plugs (supplied) for fixing screws
- Interchangeable caps
- Direct entry of ducts and cables up to Ø 16 mm

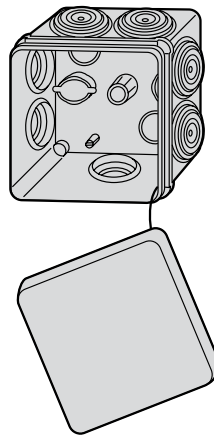


- Cap cut-out with tool for tube Ø 20 to 25 mm

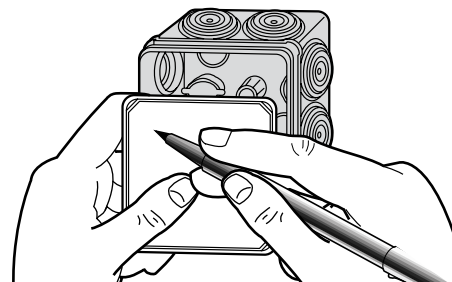


3. TECHNICAL DATA (cont.)

- Captive cover



- Marking area on the cover for identification of circuits on the inside and identification of the junction on the outside.



- Fixing by two inside points for screws Ø 5 mm max.
- Fixing possible outside the wiring space using Ø 4 mm screws for boxes Cat. Nos 920 25/45.
- Fixing by wall plug Cat. No. 31957.
- Fixing with SPIT tool "Pulsa 700 E".

Plexo Junction boxes

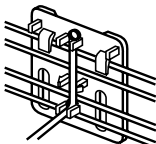
Cat. No(s).: 920 15/25/45

4. ACCESSORIES

- Spare caps grey RAL 7037
Cat. No. 919 01 for box 105 x 105 and 155 x 110
Cat. No. 919 09 for box 80 x 80 and 155 x 110

- Metal baseplate
Cat. No. 358 11 for box 155 x 110

- Fixing plate
Cat. No. 919 41 Fixing plate on wire cable trays \varnothing 5 mm max. for boxes 80 x 80 and 105 x 105.



- Set of four fixing tabs
Cat. No. 358 02 for box 155 x 110.

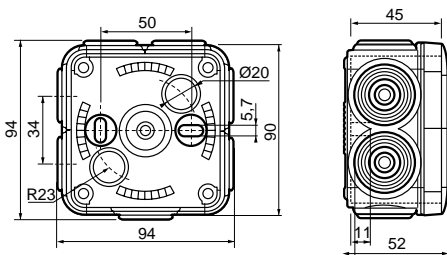
- 2 hinges
Cat. No. 358 00 for box 155 x 110.

- Derivation strip
Cat. No. 312 10 fitted with four 4 mm² terminals for box 80 x 80.

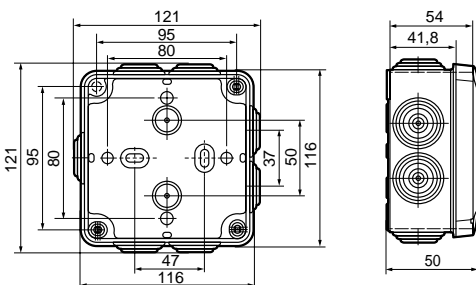


5. OVERALL DIMENSIONS

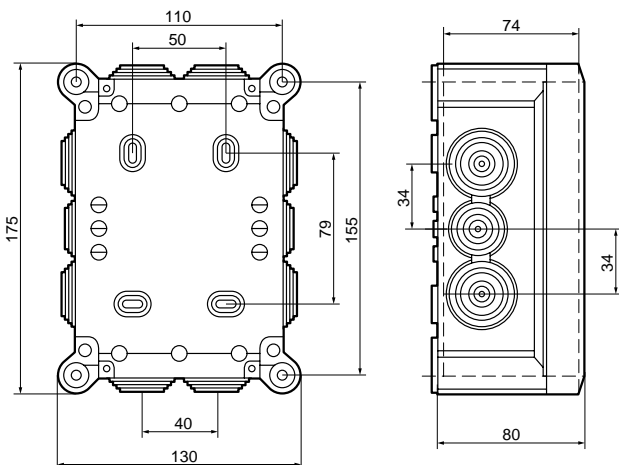
Box 80 x 80



Box 105 x 105



Box 155 x 110



5. REGULATIONS GOVERNING SAFETY CIRCUITS IN PUBLIC BUILDINGS

Article EL 16

Power supply circuits for safety installations

§1. In addition to the provisions of Article EL 10, the power supply ducts for safety installations must meet the following provisions:

- they must be category CR 1 from the safety source or the main panel down to the terminal equipment; the corresponding derivation or junction devices and their enclosures except for weatherproofing devices must satisfy the glow wire test defined in the applicable standards, the temperature of the glow wire being 960°C;
- The premises at particular risk of fire as stated in Article CO 27 must not be crossed by safety installation ducts other than those intended to supply equipment located in these premises;
- The safety installation cables must be different from the normal/replacement installation cables.